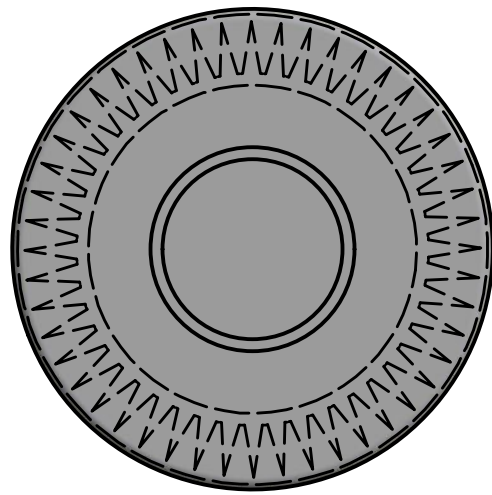


2

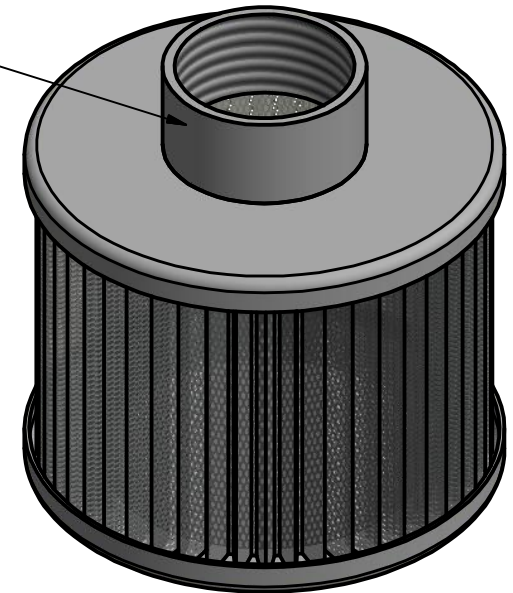
1

REVISION HISTORY

REV	DESCRIPTION	DATE	APPROVED
0	INITIAL RELEASE	8/25/2016	TZ



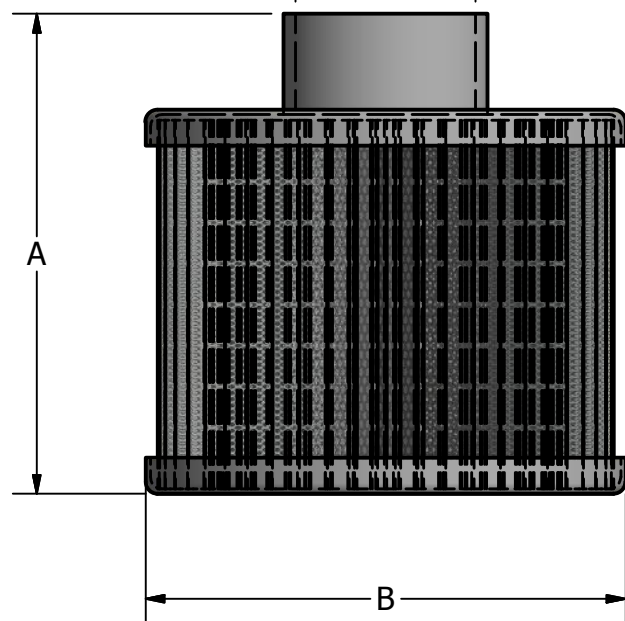
NPT COUPLING  
(FEMALE OR MALE THREADS)



B

B

C (NPT)




DIMENSIONS

A	B	PERF	FEMALE OR MALE	NPT SIZE

A

A

	NAME	DATE	 <b>FLUID FILTRATION MANUFACTURING CORP.</b>
ENG APPR	TOM Z.	8/25/2016	
MGR APPR	AL BORZI	8/25/2016	<b>TITLE PLEATED SUCTION STRAINER WITH NPT COUPLING</b>
MATL: (INDICATE MATERIAL)			
UNLESS OTHERWISE SPECIFIED DIMENSIONS ARE IN INCHES ANGLES ±1.0° 2 PL ±0.13 3 PL ±0.063			<b>SIZE</b> DWG NO <b>A</b> FFM013
SCALE: 1 / 2			CUSTOMER:
SHEET: 2 OF 2			

THIS DRAWING CONTAINS INFORMATION PROPRIETARY TO FLUID FILTRATION MANUFACTURING CORPORATION, ANY UNAUTHORIZED USE OF THIS DRAWING IS EXPRESSLY PROHIBITED WITHOUT THE WRITTEN PERMISSION FROM FPMC.

2

1