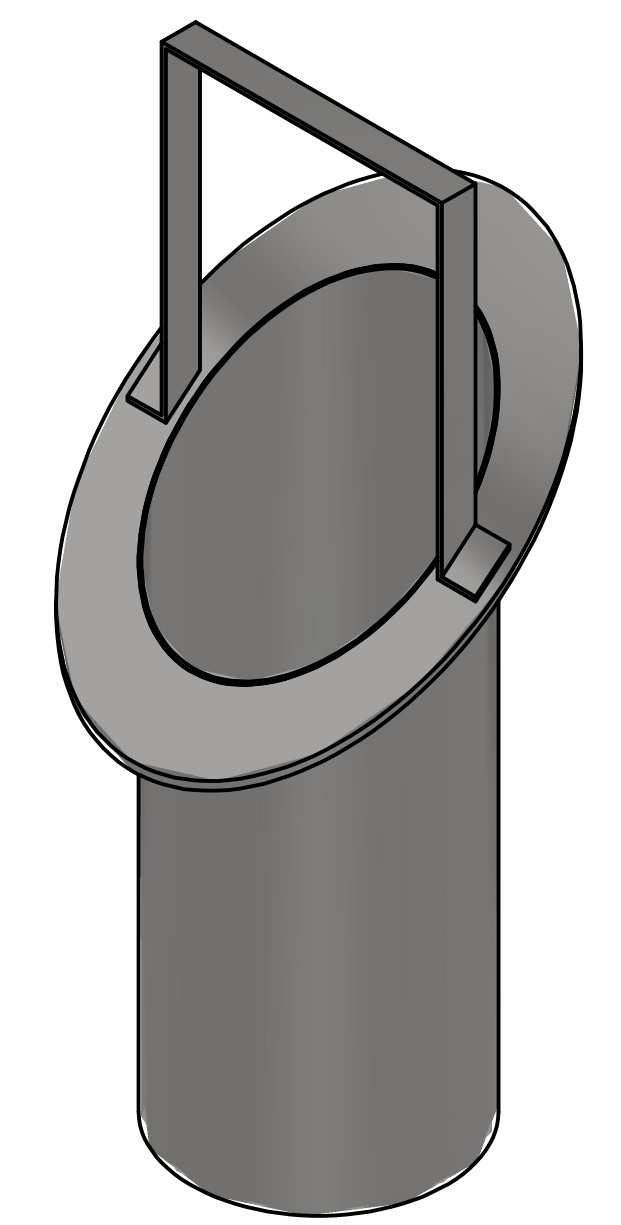
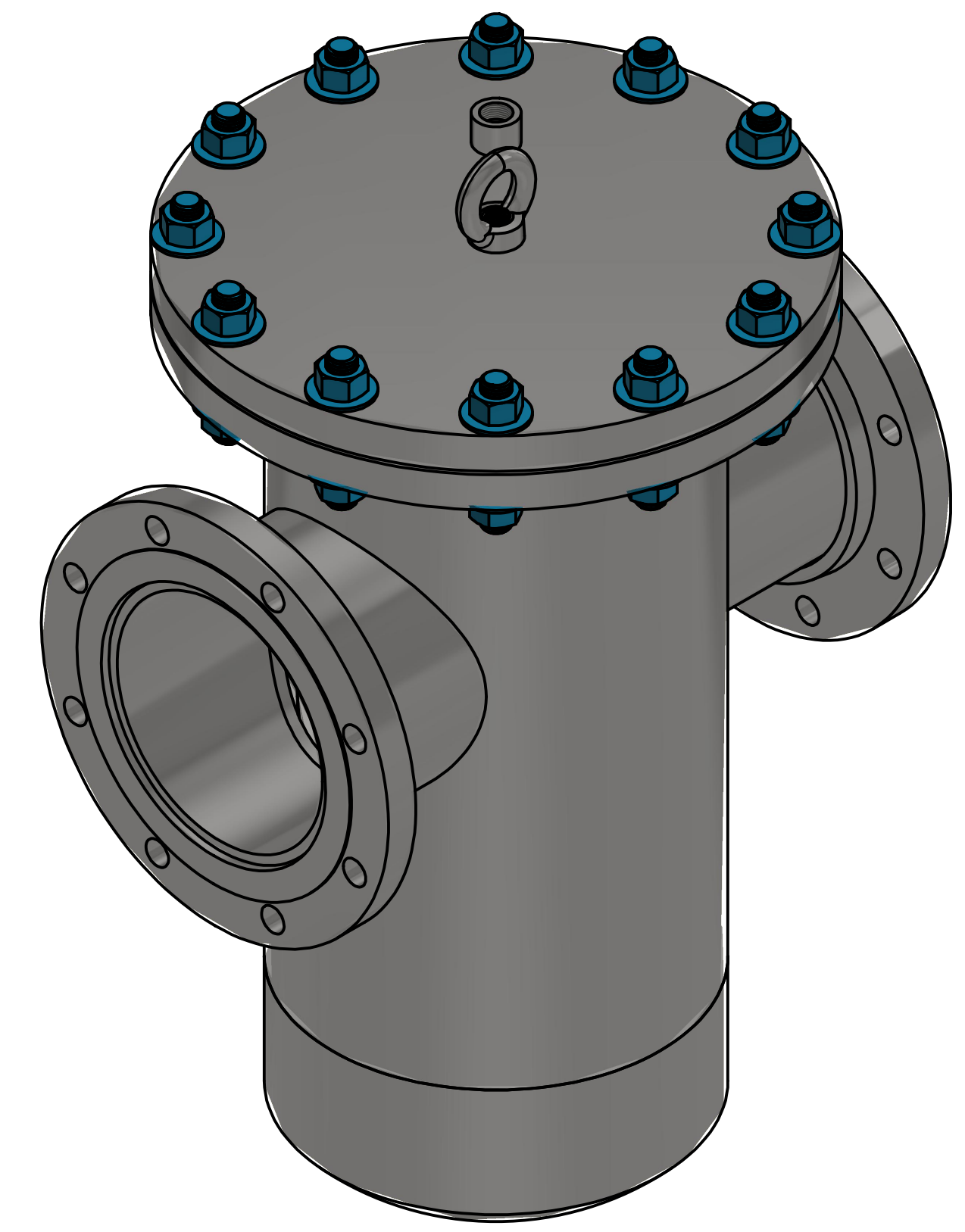
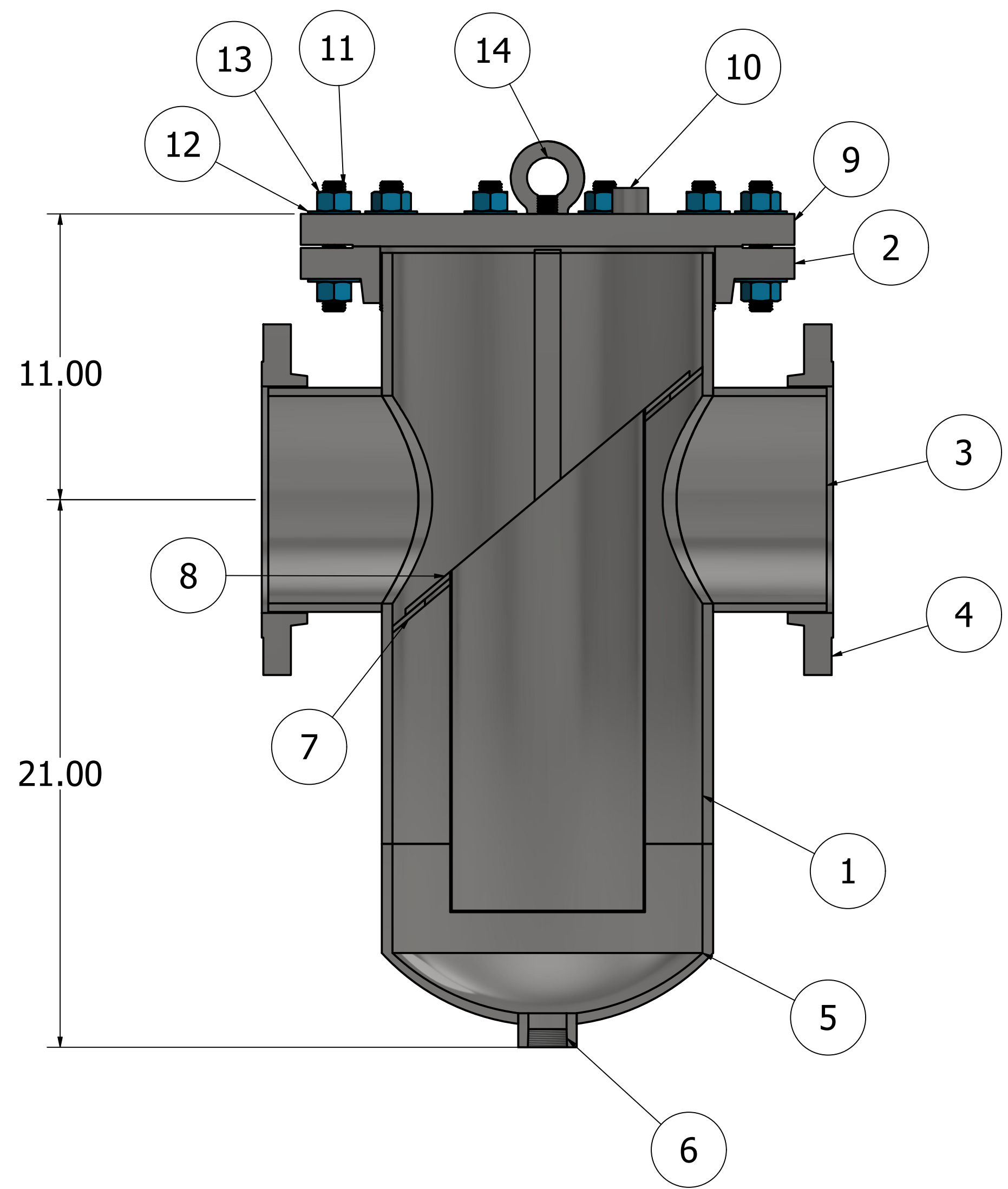
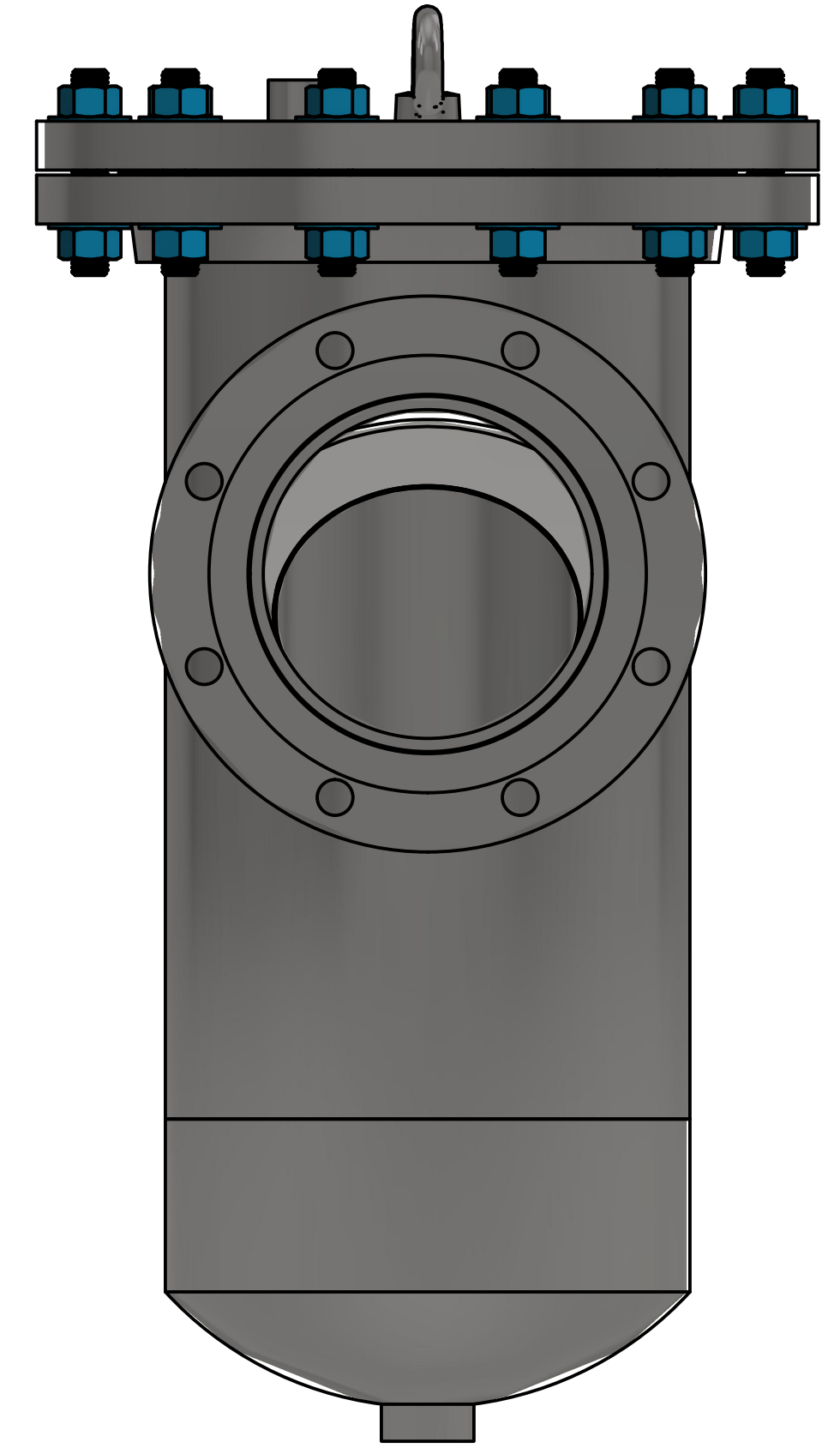
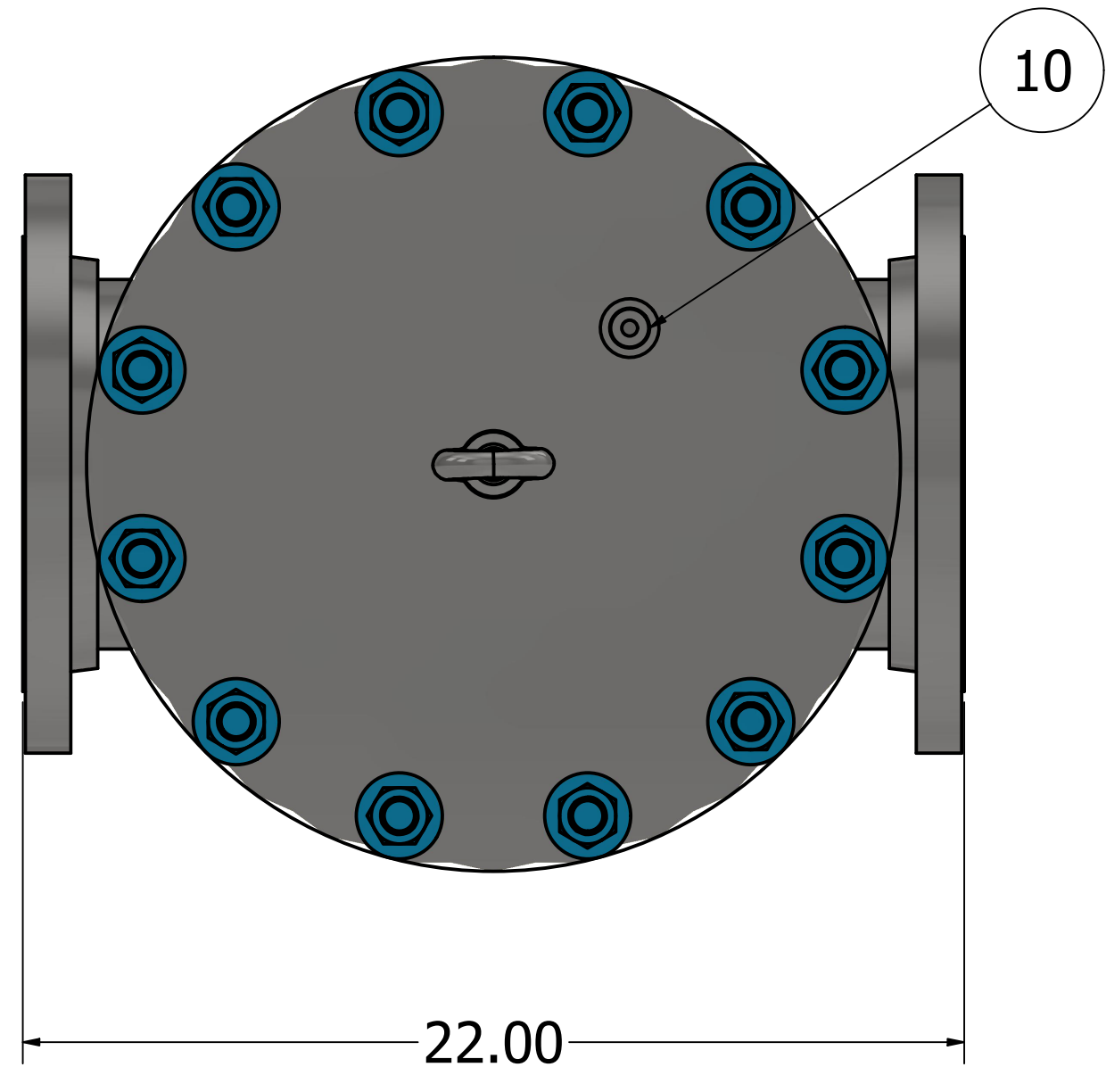


8 7 6 5 4 3 2 1

PARTS LIST

ITEM	QTY	PART NUMBER
1	1	Central Body
2	1	ASME B16.5 Flange Slip-On Welding - Class 150 12
3	2	Wing Pipe
4	2	ASME B16.5 Flange Slip-On Welding - Class 150 8
5	1	ASME B16.9 Cap 12
6	1	ASME B16.11 Half Coupling Threaded - Class 3000 1 1/4 x 1 1/4, HCTC3000
7	1	Lip
8	1	SPX-8-150-SS-Inner Basket
9	1	ASME B16.5 Flange Blind - Class 150 12
10	1	ASME B16.11 Half Coupling Threaded - Class 3000 3/4 x 3/4, HCTC3000
11	12	7-8 x 5 B7 Threaded Rod
12	24	7-8 Washer
13	24	7-8 Nut
14	1	Eyenuit

Note: All Dimensions Inches  
Tolerances are ±1/8



DRAWN	J. Perino	8/16/2021	FLUID FILTRATION MFG. CORP.		
CHECKED	A. Subero		TITLE		
QA			SPX-8-150-SS		
MFG	A. Borzi		SIZE	DWG NO	REV
APPROVED			D	SPX-8-150-SS	0
			SCALE	1 / 4	SHEET 1 OF 1

8 7 6 5 4 3 2 1