

8 7 6 5 4 3 2 1

D

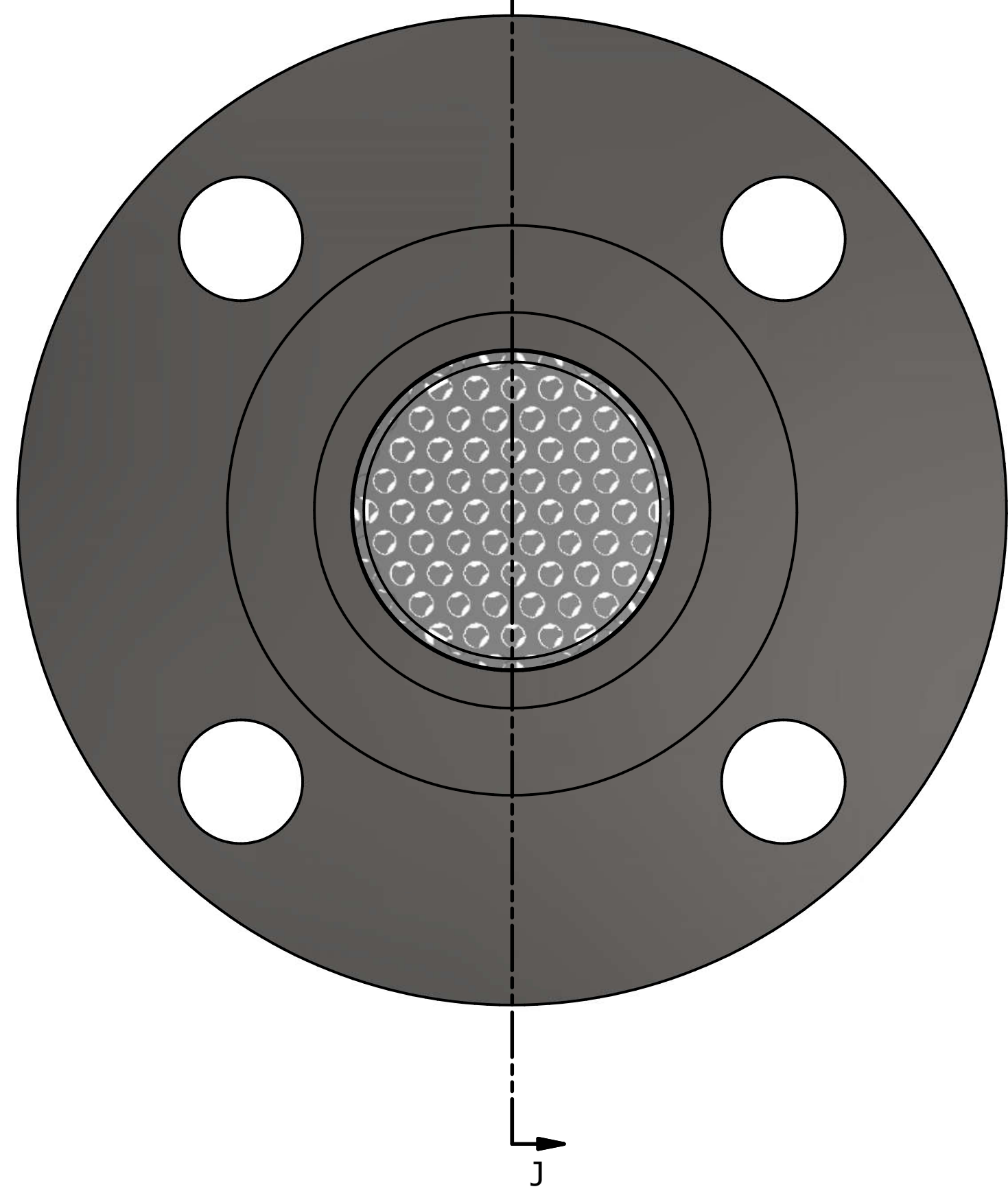
C

B

A



SECTION J-J
SCALE 1.5 : 1



Flanges Dimensions as per ANSI B.16.5
Trap material:
316SS
Monel
Titanium
ALL DIMENSIONS INCHES

RESIN TRAPS			
SIZE	HEIGHT	Max Pressure 316SS	Max Pressure PVC/CPVC
1"	7"	150 psi	100 psi
1-1/2"	8"	150 psi	100 psi
2"	9"	150 psi	80 psi
3"	11"	150 psi	80 psi
4"	13"	150 psi	80 psi

DRAWN A SUBERO	10/27/2017	FLUID FILTRATION MFG CORP	
CHECKED		TITLE RESIN TRAPS GENERAL DIMENSIONS AND DATA	
QA		SIZE D	REV 0
MFG A SUBERO		DWG NO ResinTrapGeneral	
APPROVED AL BORZI		SCALE 1.5 : 1	SHEET 1 OF 1

8 7 6 5 4 3 2 1