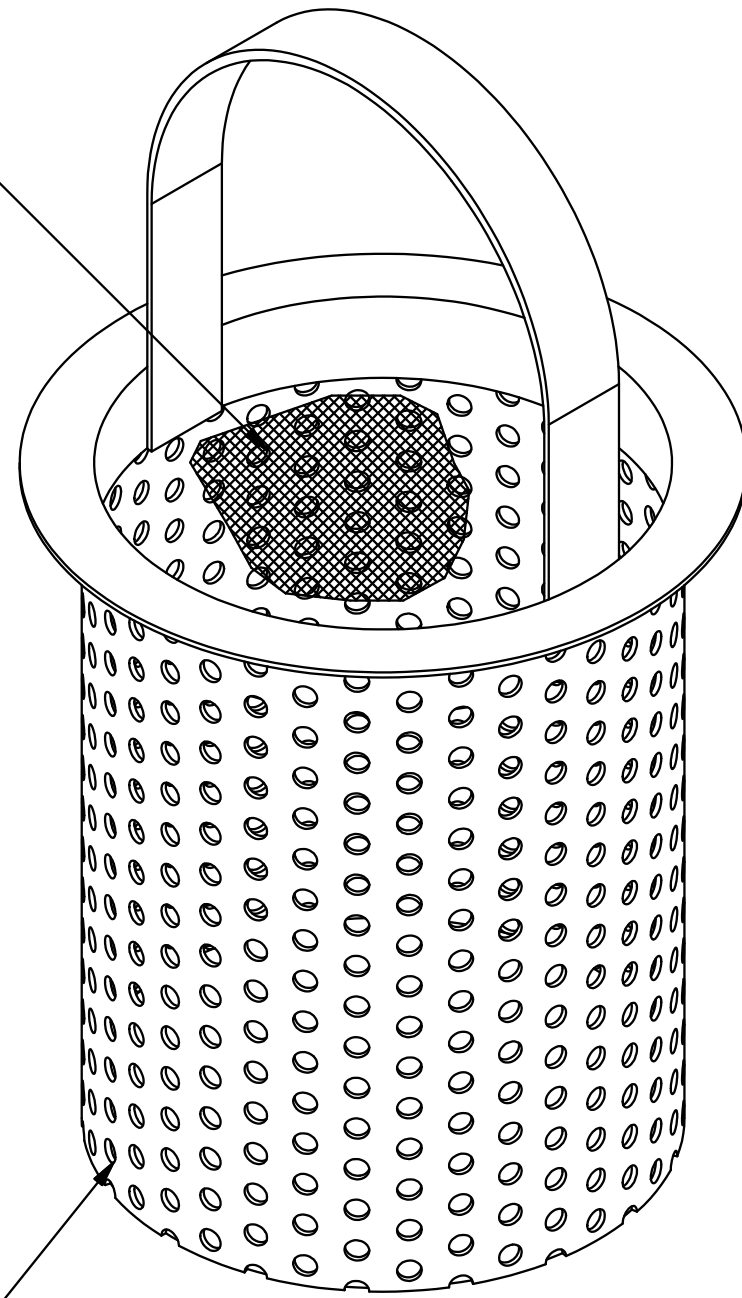
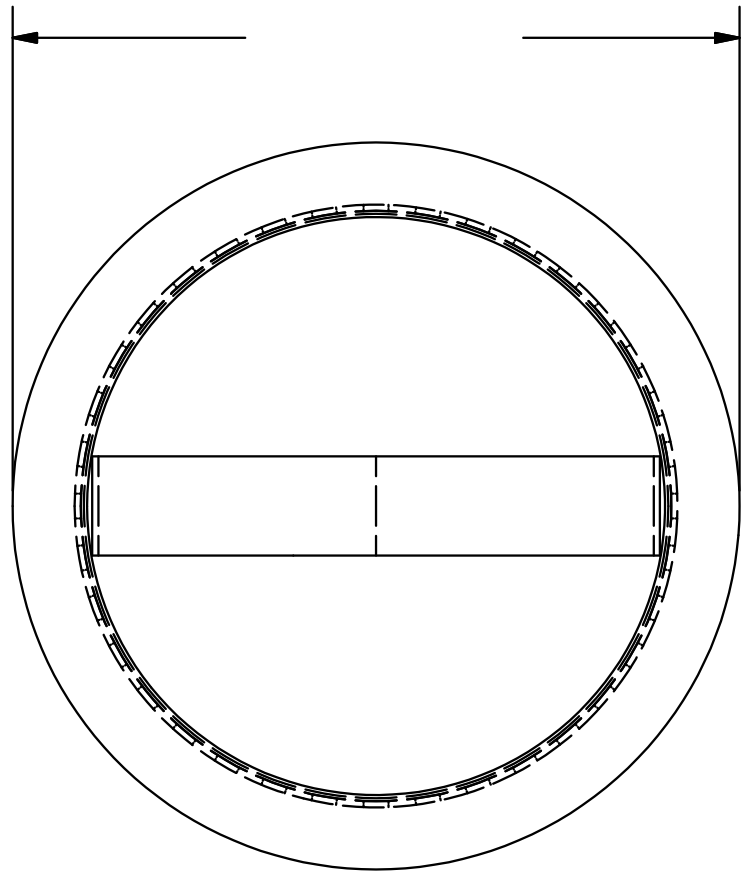
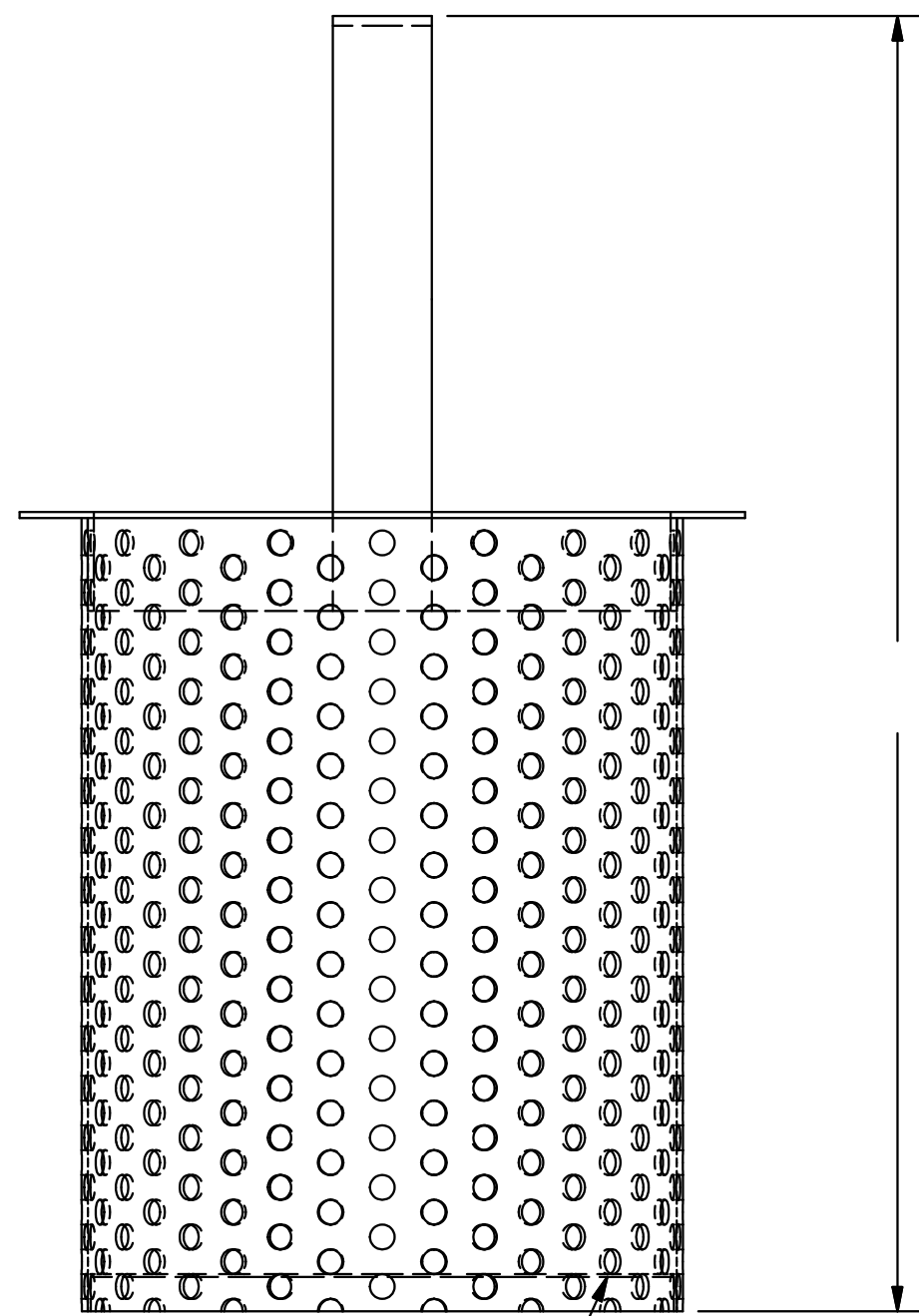
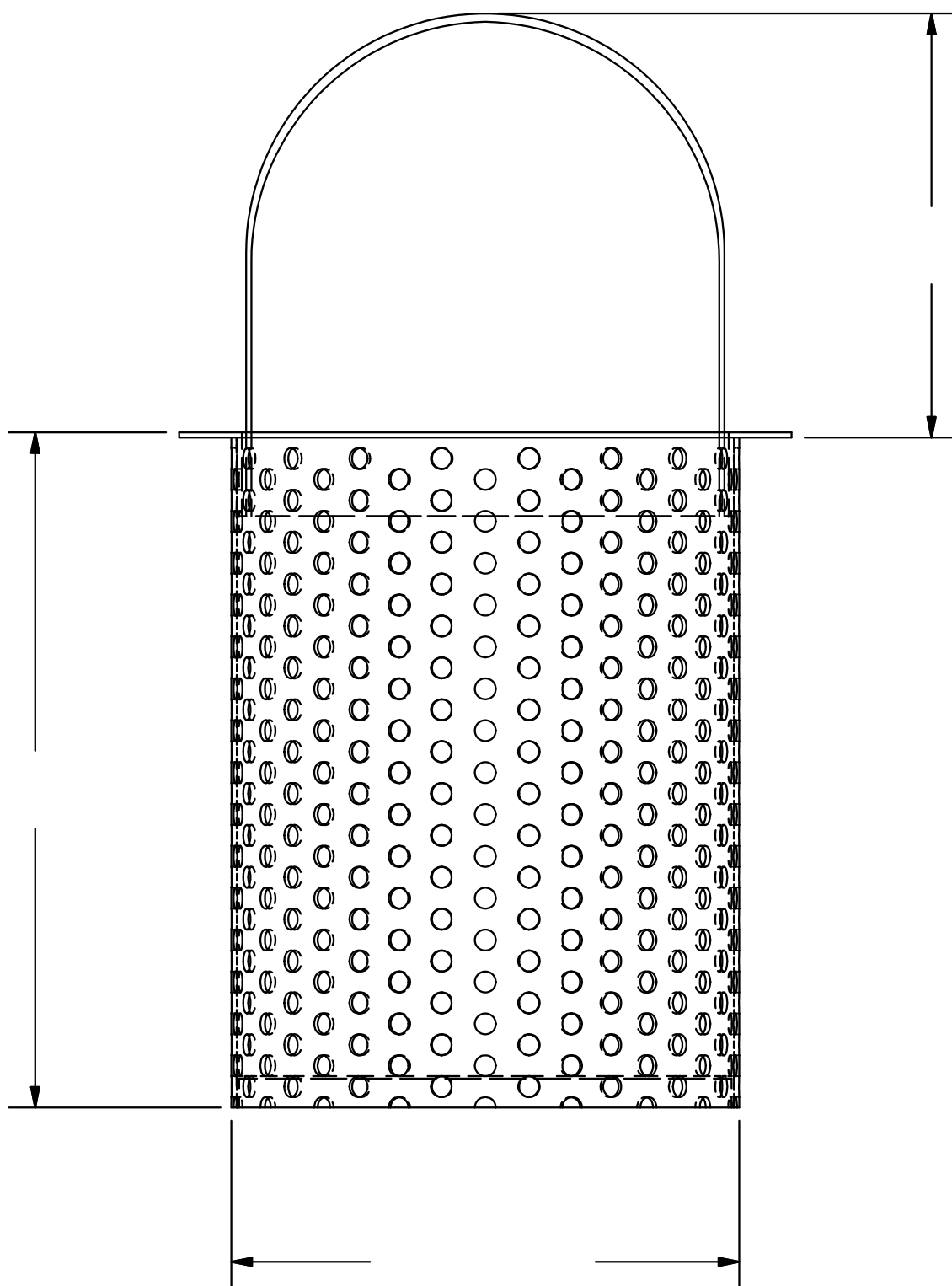


INSIDE OF BASKET SHALL BE LINED WITH _____ MESH



PERFORATION



PERFORATED OR SOLID BOTTOM

NOTE:
THIS DRAWING CONTAINS INFORMATION PROPRIETARY TO FLUID FILTRATION MANUFACTURING CORP. THIS DRAWING MAY NOT BE REPRODUCED WITHOUT THE EXPRESS WRITTEN PERMISSION OF FLUID FILTRATION MANUFACTURING CORP.

DWG # 012714M

REVISION NO.	ECN NO.	BY:	DATE:	APPD:
REV DESC:				
FLUID FILTRATION MANUFACTURING CORP.				
PERFORATED BASKET WITH HANDLE AND MESH LINER				
DESIGNED BY		PRODUCT LINE	SHEET 1 OF 1	
DWN BY KYLE GOLTSCH		DATE 012714	DWG NO.	
APPD		PLOT SIZE 12.5	012714M	
ENG			REV.	