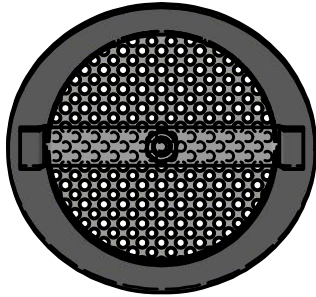


2

1

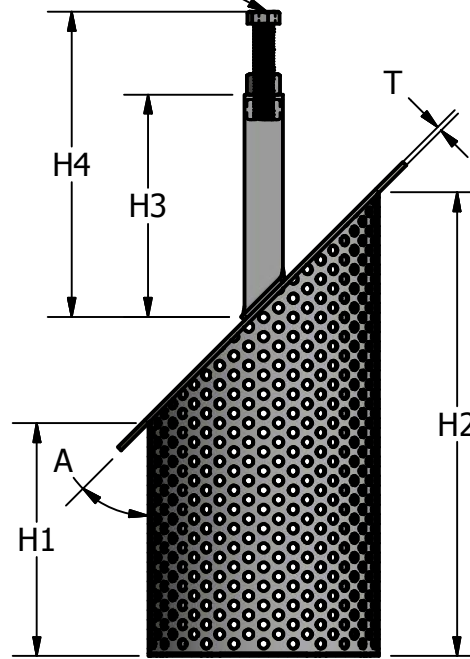
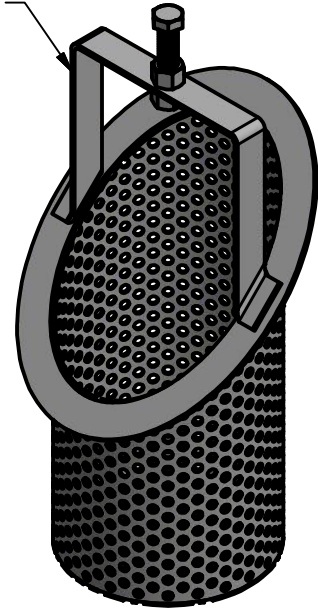
REVISION HISTORY

REV	DESCRIPTION	DATE	APPROVED
0	INITIAL RELEASE	8/26/2016	TZ



SS ADJUSTABLE BOLT

SS SQUARE HANDLE

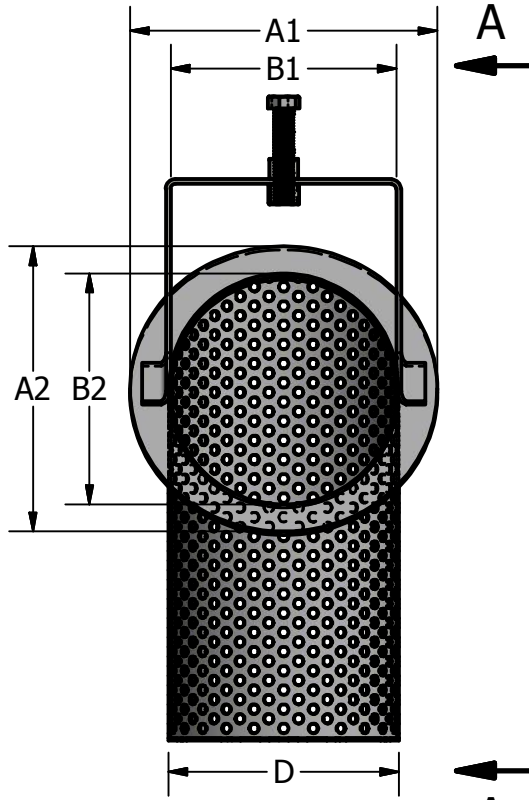


B

B

A

A



VIEW A-A  
SCALE 1 / 5


DIMENSIONS

A1	A2	B1	B2	H1
H2	H3	H4	D	T

A

A

	NAME	DATE
ENG APPR	TOM Z.	8/26/2016
MGR APPR	AL BORZI	8/26/2016

 **FLUID FILTRATION  
MANUFACTURING CORP.**

MATL:  
(INDICATE MATERIAL)

UNLESS OTHERWISE SPECIFIED  
DIMENSIONS ARE IN INCHES  
ANGLES ±1.0°  
2 PL ±0.13 3 PL ±0.063

TITLE  
SLANTED BASKET WITH  
ADJUSTABLE SQUARE HANDLE

SIZE DWG NO  
A FFM015

CUSTOMER:

SCALE:1 / 5

SHEET:2 OF 2

THIS DRAWING CONTAINS INFORMATION PROPRIETARY TO FLUID FILTRATION MANUFACTURING CORPORATION, ANY UNAUTHORIZED USE OF THIS DRAWING IS EXPRESSLY PROHIBITED WITHOUT THE WRITTEN PERMISSION FROM FFM.

2

1