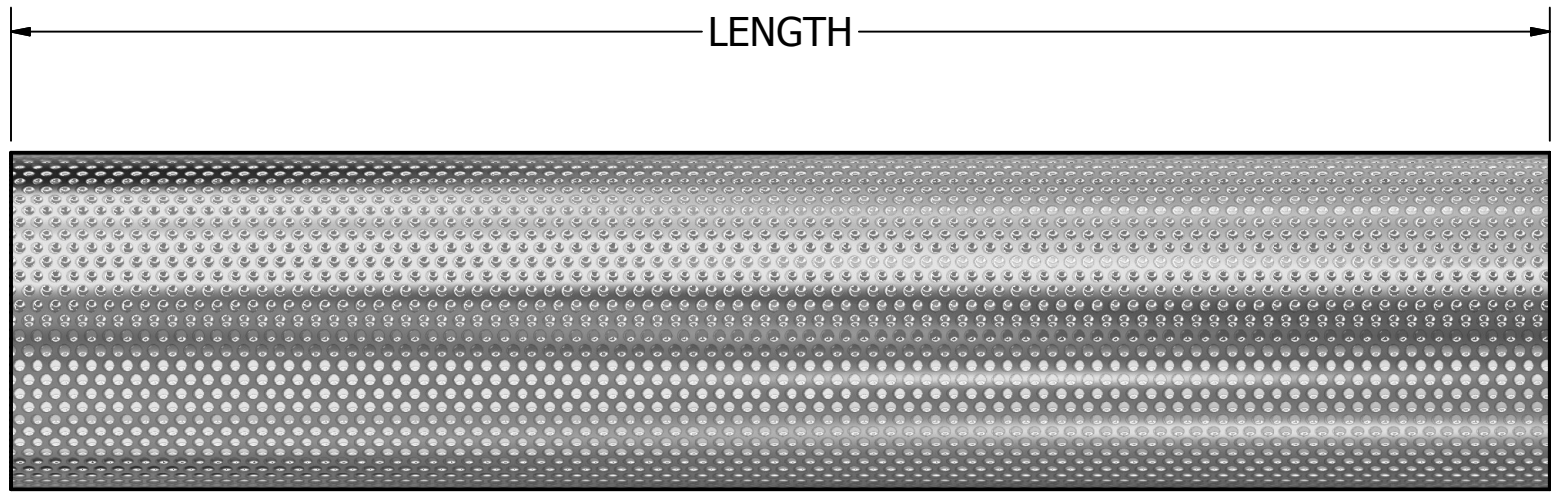


4

3

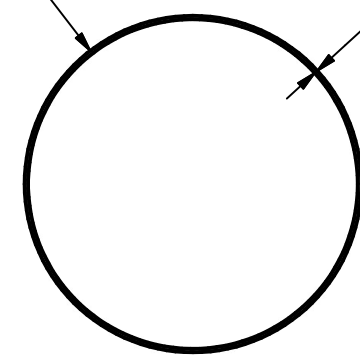
2

1



DIAMETER

THICKNESS/GAUGE

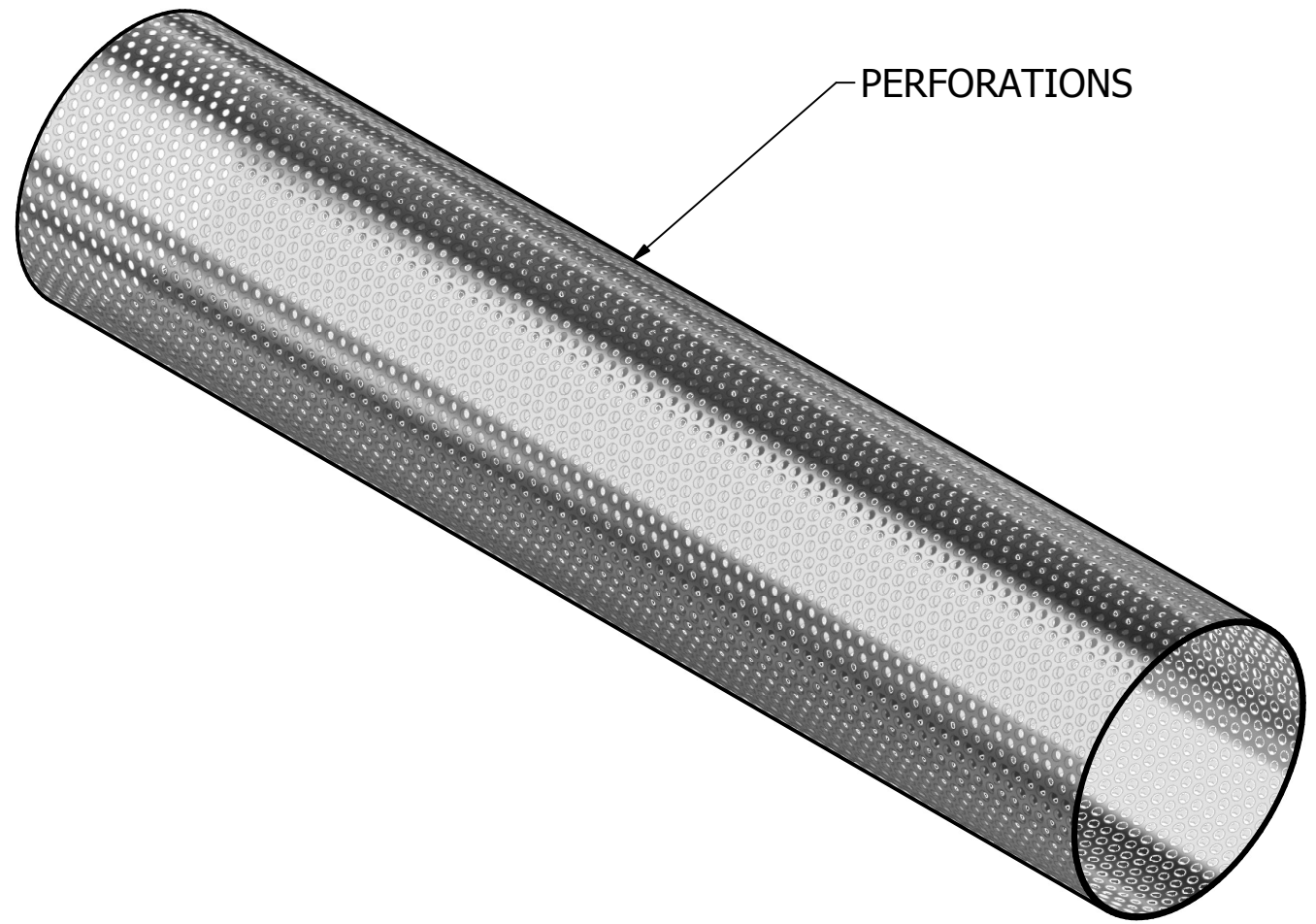


ALL DIMENSIONS ARE  
INCHES  
TOLERANCES ARE +/-  
1/16"

B

B

| PERFORATED TUBES |          |                 |              |
|------------------|----------|-----------------|--------------|
| LENGTH           | DIAMETER | THICKNESS/GAUGE | PERFORATIONS |
|                  |          |                 |              |



PERFORATIONS

A

A

|                      |           |  |                  |     |
|----------------------|-----------|--|------------------|-----|
| DRAWN<br>A SUBERO    | 2/25/2021 | FLUID FILTRATION MFG CORP                    |                  |     |
| CHECKED              |           | TITLE<br>PERFORATED TUBES GENERAL<br>DRAWING |                  |     |
| QA                   |           | SIZE<br>B                                    | DWG NO<br>PTGDWG | REV |
| MFG                  |           | SCALE<br>1 / 2                               | SHEET 1 OF 1     |     |
| APPROVED<br>AL BORZI |           |  |                  |     |

4

3

2

1

A

A