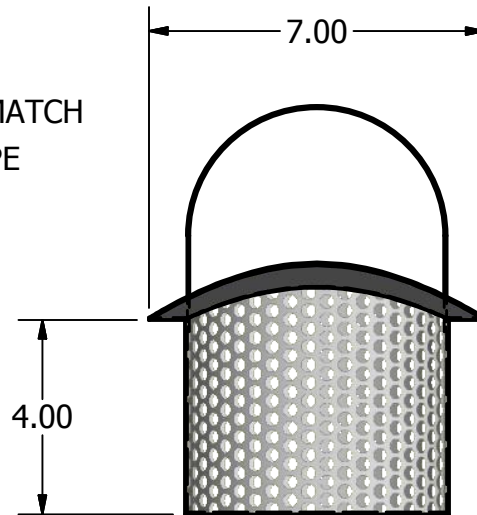
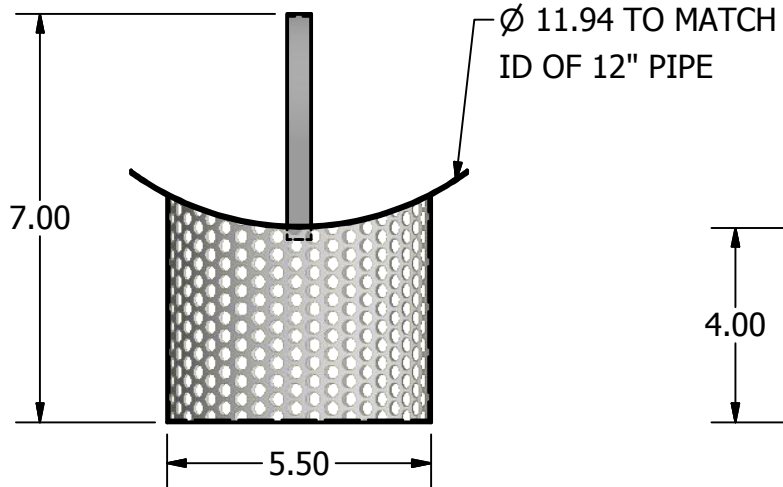
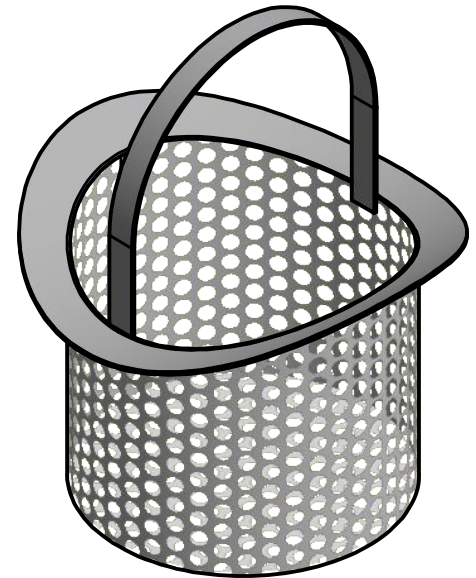
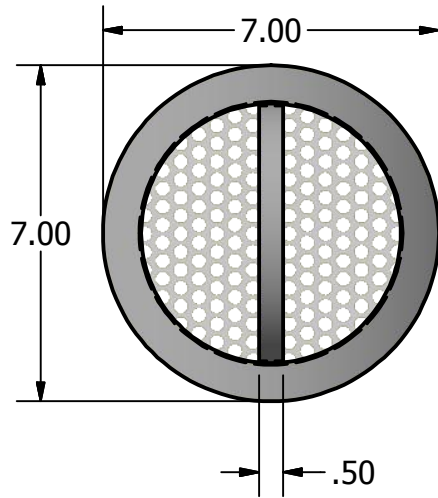


2

1

REVISION HISTORY

REV	DESCRIPTION	DATE	APPROVED
0	INITIAL RELEASE	8/25/2016	TZ



PART # 12-3/16-20G-PB

	NAME	DATE
ENG APPR	TOM Z.	8/25/2016
MGR APPR	AL BORZI	8/25/2016



FLUID FILTRATION
MANUFACTURING CORP.

MATL: 316SS
3/16" PERF

TITLE
BASKET FOR 12" PIPE
WITH 3/16" PERFORATED HOLES

UNLESS OTHERWISE SPECIFIED
DIMENSIONS ARE IN INCHES

SIZE DWG NO
A FFM005

ANGLES ±1.0°

CUSTOMER:

2 PL ±0.13 3 PL ±0.063

SCALE: 1 / 4

SHEET: 2 OF 2

THIS DRAWING CONTAINS INFORMATION PROPRIETARY TO FLUID FILTRATION MANUFACTURING CORPORATION, ANY UNAUTHORIZED USE OF THIS DRAWING IS EXPRESSLY PROHIBITED WITHOUT THE WRITTEN PERMISSION FROM FFM.

2

1

B

B

A

A