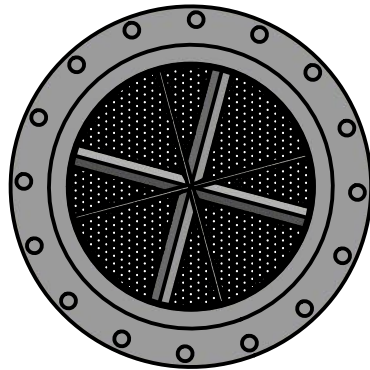


2

1

REVISION HISTORY

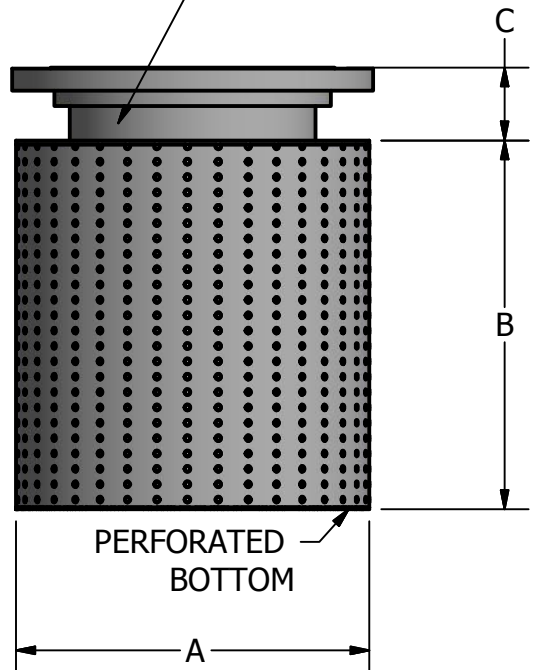
REV	DESCRIPTION	DATE	APPROVED
0	INITIAL RELEASE	8/26/2016	TZ



B

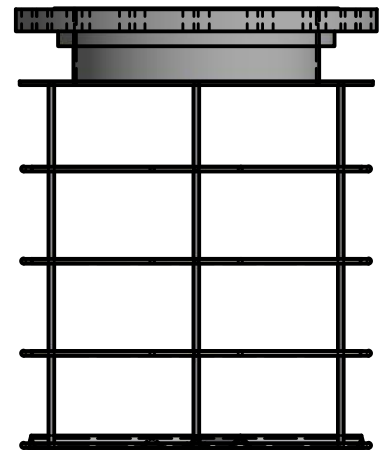
B

ROLLED NECK  
OR  
WELD NECK FLANGE

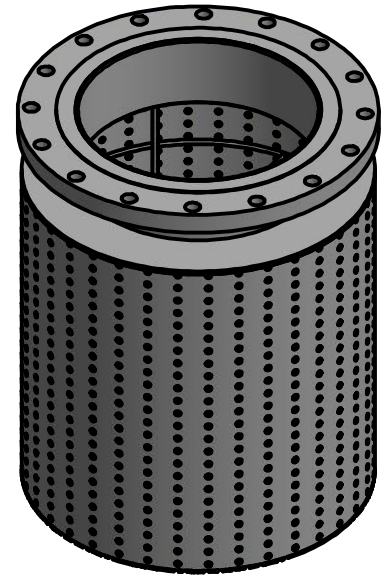


A

A



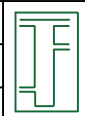
OPTIONAL SUPPORT CAGE  
PERF REMOVED FOR CLARITY



DIMENSIONS

A	B	C

	NAME	DATE
ENG APPR	TOM Z.	8/26/2016
MGR APPR	AL BORZI	8/26/2016



**FLUID FILTRATION  
MANUFACTURING CORP.**

MATL:  
(INDICATE MATERIAL)

TITLE  
SIZE 16"  
SUCTION STRAINER

UNLESS OTHERWISE SPECIFIED  
DIMENSIONS ARE IN INCHES  
ANGLES ±1.0°  
2 PL ±0.13 3 PL ±0.063

SIZE DWG NO  
A FFM019

CUSTOMER:

SCALE:0.08 : 1 SHEET:2 OF 2

THIS DRAWING CONTAINS INFORMATION PROPRIETARY TO FLUID FILTRATION MANUFACTURING CORPORATION, ANY UNAUTHORIZED USE OF THIS DRAWING IS EXPRESSLY PROHIBITED WITHOUT THE WRITTEN PERMISSION FROM FPMC.

2

1