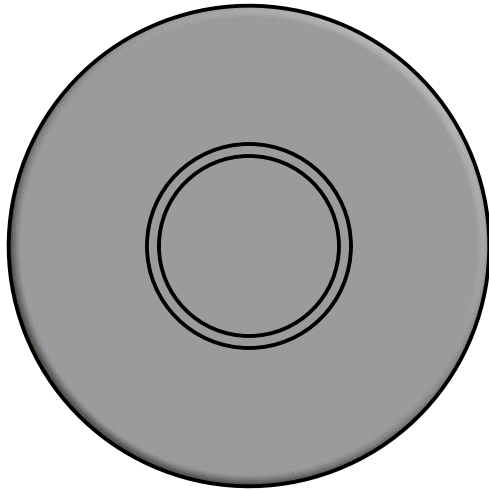


2

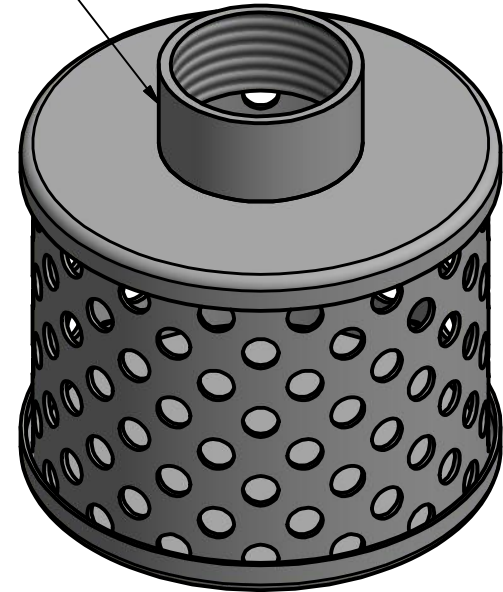
1

REVISION HISTORY

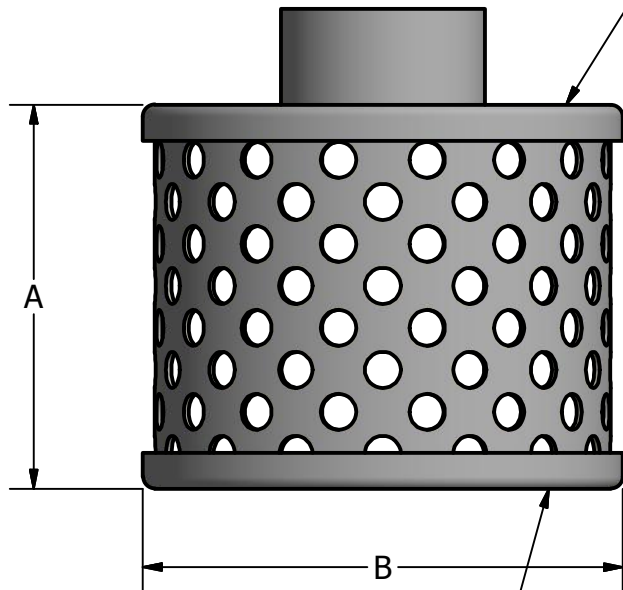
REV	DESCRIPTION	DATE	APPROVED
0	INITIAL RELEASE	8/25/2016	TZ



NPT COUPLING  
(INDICATE FEMALE OR MALE THREADS)



SOLID OR PERFORATED TOP  
(CIRCLE ONE)



SOLID OR PERFORATED BOTTOM

(CIRCLE ONE)

DIMENSIONS

A	B	PERF	FEMALE OR MALE	NPT SIZE

	NAME	DATE
ENG APPR	TOM Z.	8/25/2016
MGR APPR	AL BORZI	8/25/2016



**FLUID FILTRATION  
MANUFACTURING CORP.**

MATL:  
(INDICATE MATERIAL)

TITLE  
SUCTION STRAINER WITH  
NPT COUPLING

UNLESS OTHERWISE SPECIFIED  
DIMENSIONS ARE IN INCHES  
ANGLES ±1.0°  
2 PL ±0.13 3 PL ±0.063

SIZE DWG NO  
A FFM009

CUSTOMER:

SCALE:1 / 2

SHEET:2 OF 2

THIS DRAWING CONTAINS INFORMATION PROPRIETARY TO FLUID FILTRATION MANUFACTURING CORPORATION, ANY UNAUTHORIZED USE OF THIS DRAWING IS EXPRESSLY PROHIBITED WITHOUT THE WRITTEN PERMISSION FROM FPMC.

2

1