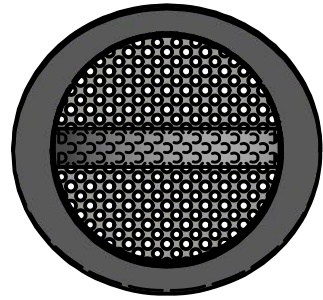


2

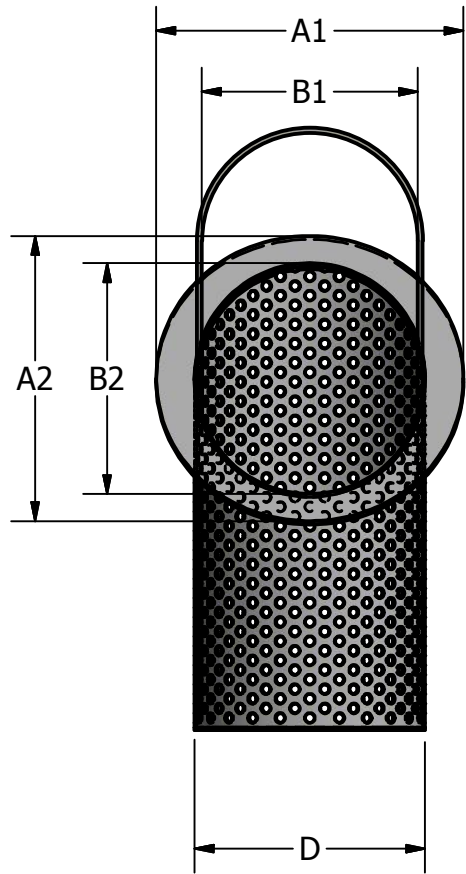
1

REVISION HISTORY

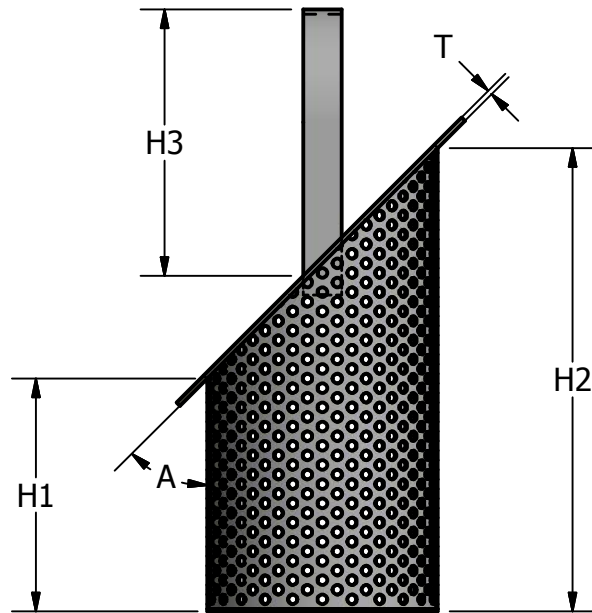
REV	DESCRIPTION	DATE	APPROVED
0	INITIAL RELEASE	8/26/2016	TZ



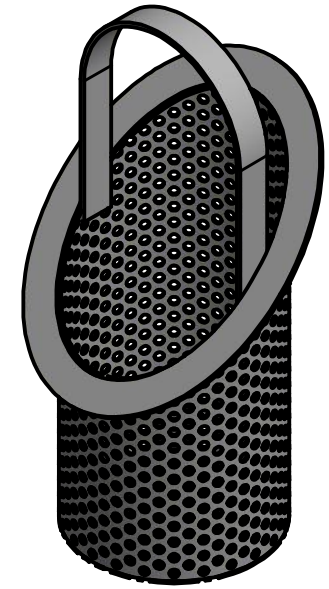
B



A



VIEW C-C
SCALE 1 / 5




B

A

DIMENSIONS				
A1	A2	B1	B2	H1
H2	H3	D	T	

	NAME	DATE
ENG APPR	TOM Z.	8/26/2016
MGR APPR	AL BORZI	8/26/2016

 **FLUID FILTRATION
MANUFACTURING CORP.**

MATL:
(INDICATE MATERIAL)

UNLESS OTHERWISE SPECIFIED
DIMENSIONS ARE IN INCHES
ANGLES ±1.0°
2 PL ±0.13 3 PL ±0.063

TITLE
SLANTED BASKET WITH LOOP
HANDLE INSIDE

SIZE DWG NO
A FFM017

CUSTOMER:

SCALE:1 / 5 SHEET:2 OF 2

THIS DRAWING CONTAINS INFORMATION PROPRIETARY TO FLUID FILTRATION MANUFACTURING CORPORATION, ANY UNAUTHORIZED USE OF THIS DRAWING IS EXPRESSLY PROHIBITED WITHOUT THE WRITTEN PERMISSION FROM FPMC.

2

1