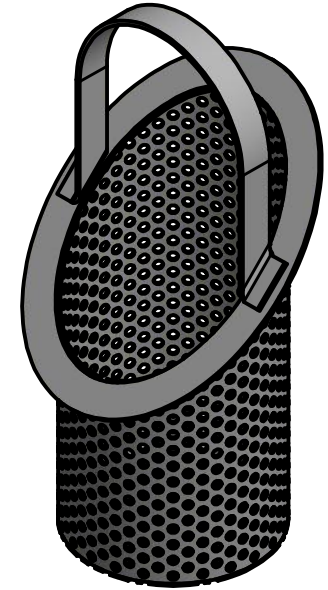
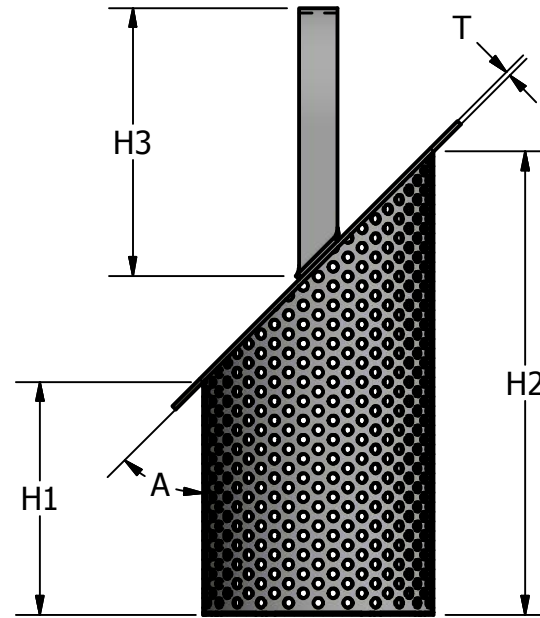
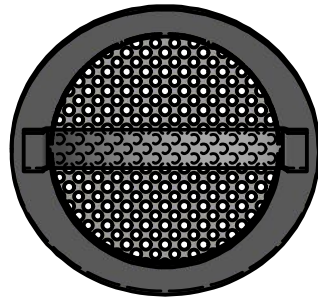


2

1

REVISION HISTORY

REV	DESCRIPTION	DATE	APPROVED
0	INITIAL RELEASE	8/26/2016	TZ



B

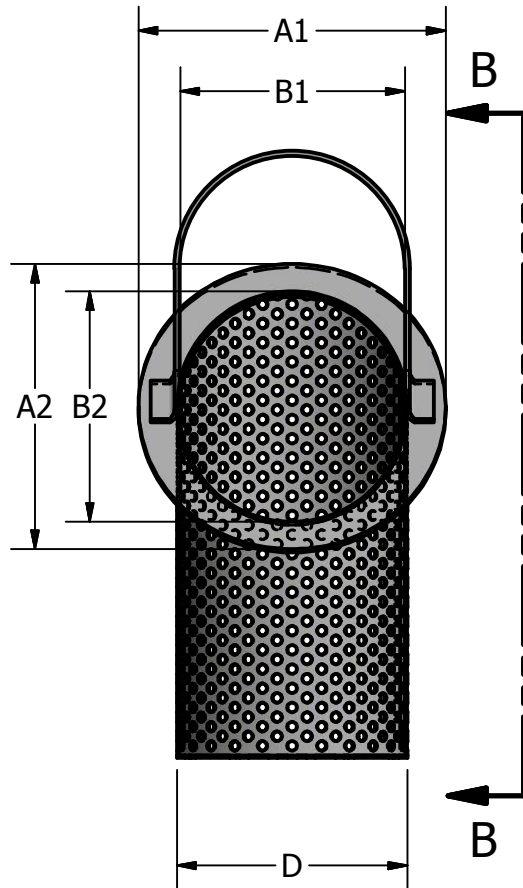
B

A

A

A


A



VIEW B-B
SCALE 1 / 5

DIMENSIONS				
A1	A2	B1	B2	H1
H2	H3	D	T	

	NAME	DATE
ENG APPR	TOM Z.	8/26/2016
MGR APPR	AL BORZI	8/26/2016

 **FLUID FILTRATION
MANUFACTURING CORP.**

MATL:
(INDICATE MATERIAL)

TITLE
**SLANTED BASKET WITH LOOP
HANDLE**

UNLESS OTHERWISE SPECIFIED
DIMENSIONS ARE IN INCHES
ANGLES $\pm 1.0^\circ$
2 PL ± 0.13 3 PL ± 0.063

SIZE **A** DWG NO
FFM016
CUSTOMER:
SCALE: 1 / 5 SHEET: 2 OF 2

THIS DRAWING CONTAINS INFORMATION PROPRIETARY TO FLUID FILTRATION MANUFACTURING CORPORATION, ANY UNAUTHORIZED USE OF THIS DRAWING IS EXPRESSLY PROHIBITED WITHOUT THE WRITTEN PERMISSION FROM FPMC.

2

1