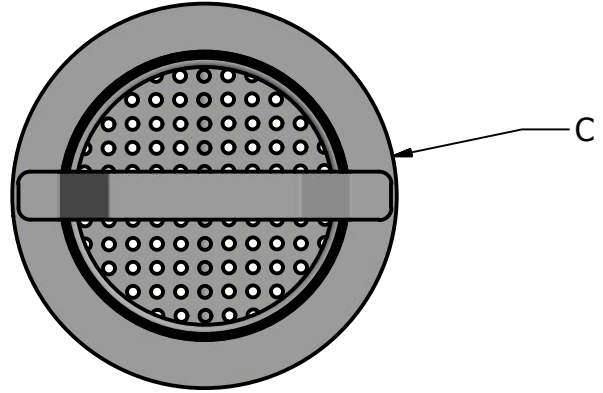


2

1

REVISION HISTORY

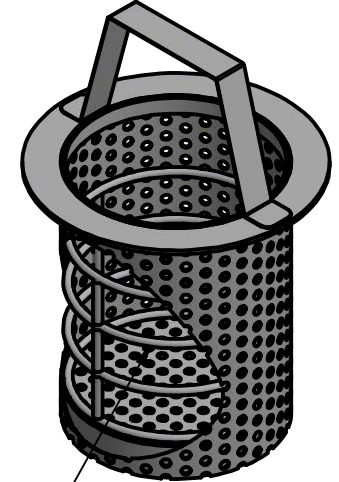
REV	DESCRIPTION	DATE	APPROVED
0	INITIAL RELEASE	8/24/2016	TZ



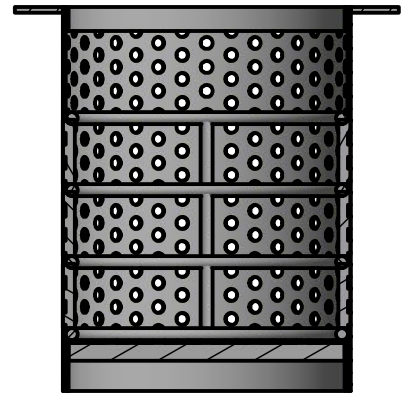
PERF SIZE: _____

MESH: _____ (WRITE NONE IF NONE)

INSIDE OUTSIDE

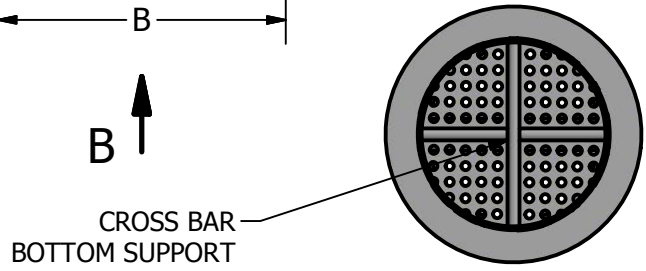
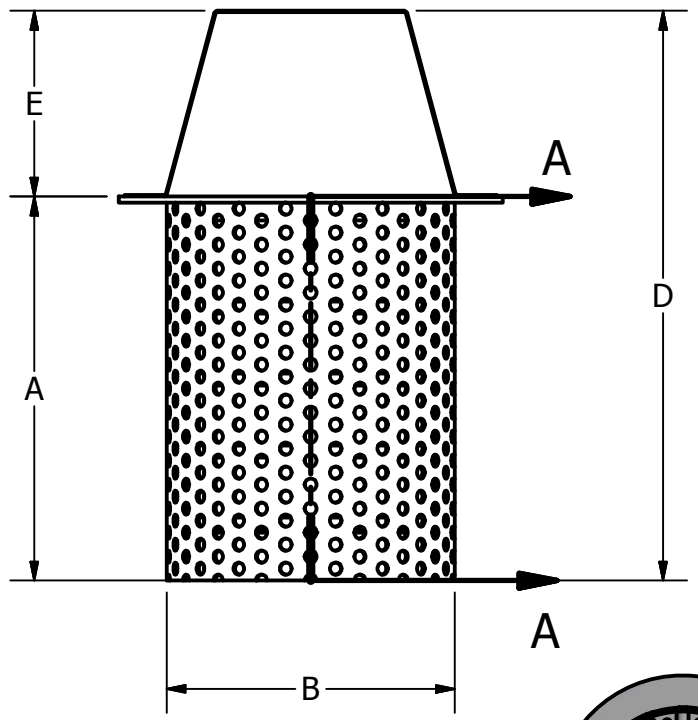


SECTION REMOVED TO ILLUSTRATE DETAIL OF INNER WIRE CAGE



SECTION A-A
SCALE 1 / 4

ENTER DIMENSIONS				
A	B	C	D	E




CROSS BAR
BOTTOM SUPPORT

VIEW B-B
SCALE 1 / 6

THIS DRAWING CONTAINS INFORMATION PROPRIETARY TO FLUID FILTRATION MANUFACTURING CORPORATION, ANY UNAUTHORIZED USE OF THIS DRAWING IS EXPRESSLY PROHIBITED WITHOUT THE WRITTEN PERMISSION FROM FPMC.

	NAME	DATE
ENG APPR	TOM Z.	8/24/2016
MGR APPR	AL BORZI	8/24/2016
MATL: (INDICATE MATERIAL)		
UNLESS OTHERWISE SPECIFIED DIMENSIONS ARE IN INCHES		
ANGLES ±1.0°		
2 PL ±0.13 3 PL ±0.063		

 **FLUID FILTRATION
MANUFACTURING CORP.**

TITLE
BASKET WITH
WIRE CAGE

SIZE A	DWG NO FFM003
-----------	------------------

CUSTOMER:

SCALE: 1 / 5

SHEET: 2 OF 2

2

1