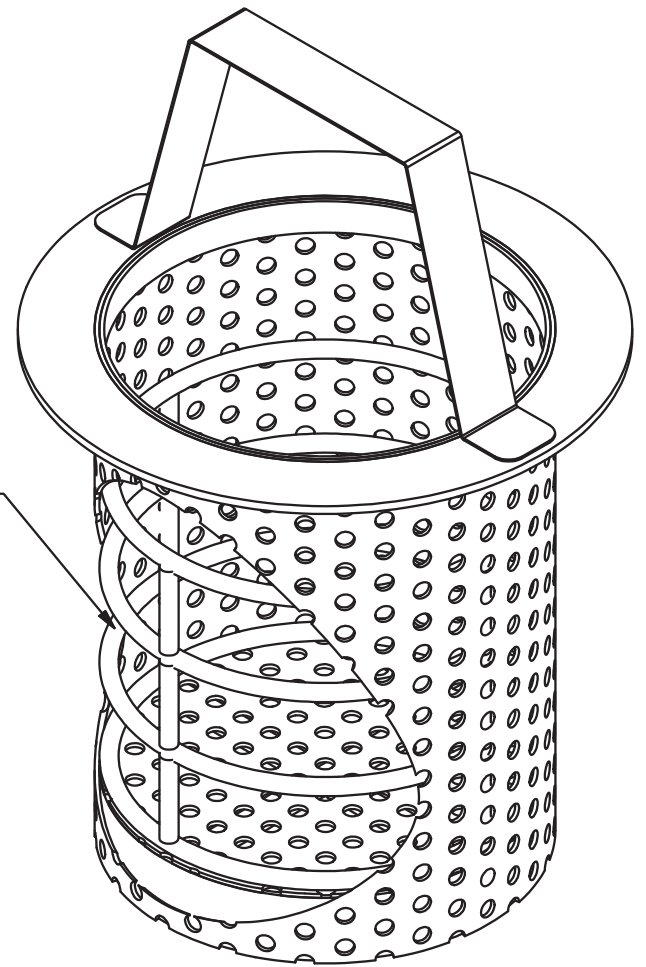
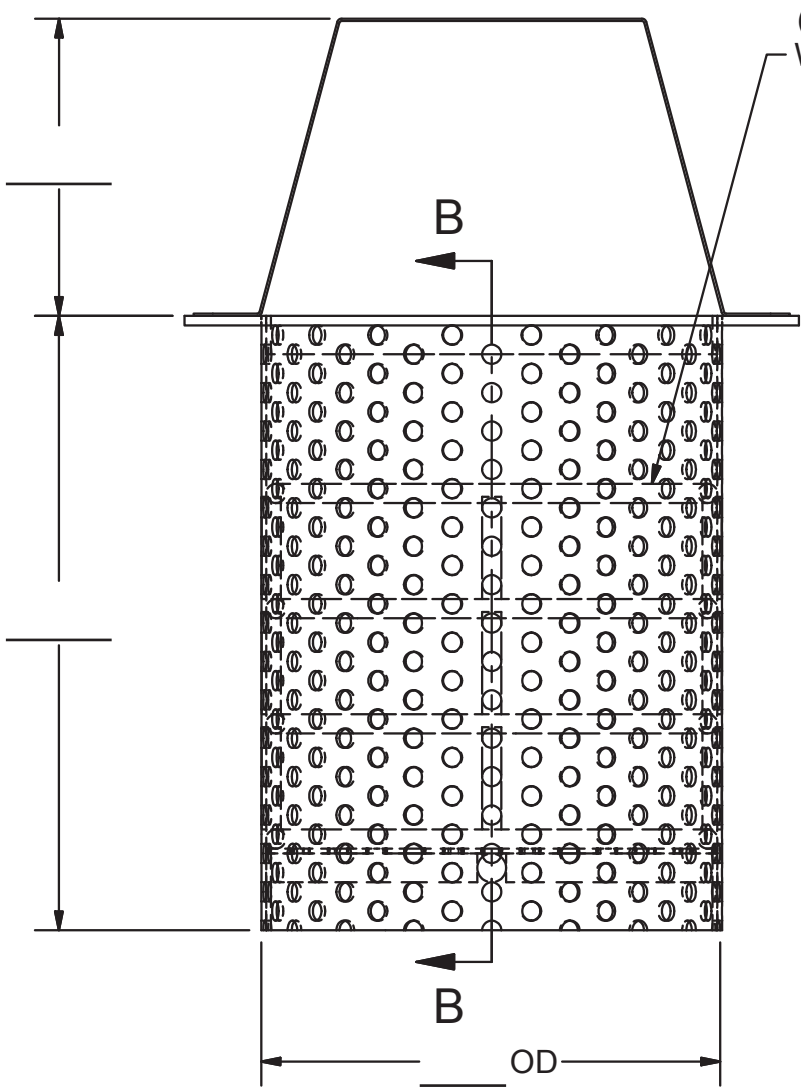


SECTION REMOVED TO ILLUSTRATE DETAIL OF INNER WIRE CAGE



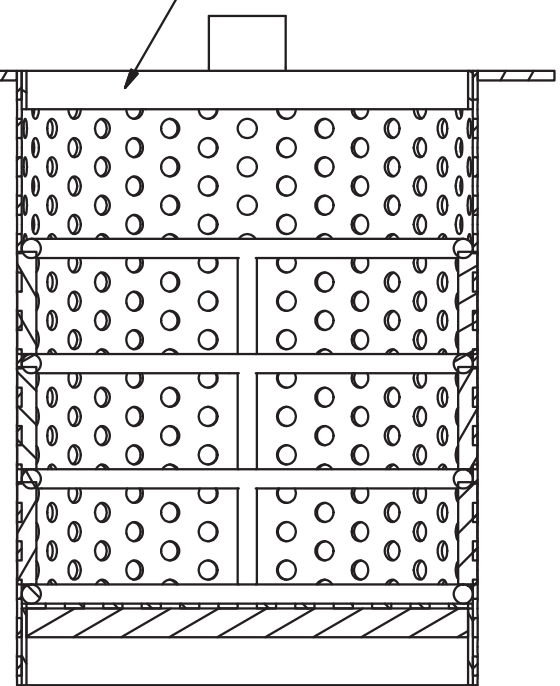
DWG # 101713



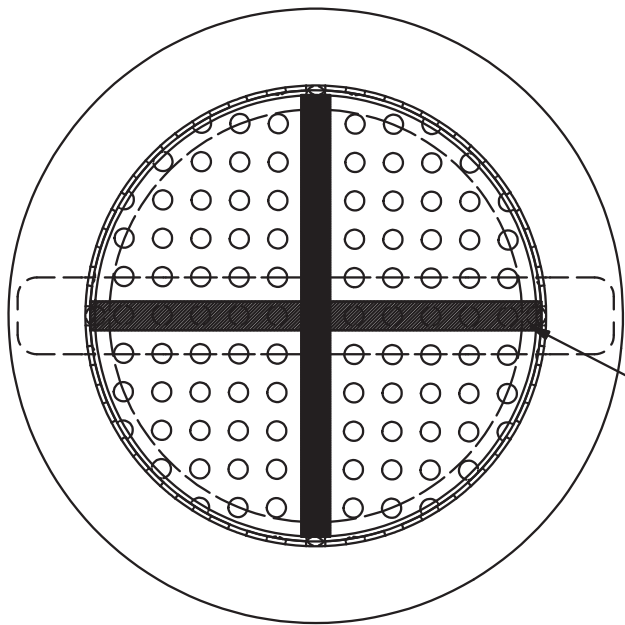
(4) 1/4" HORIZONTAL RINGS WITH 1/4" VERTICAL CROSS BRACES WELDED INSIDE (STANDARD)

ROLLED BAND WELDED ON TOP (PERFORATION SANDWICHED BETWEEN BAND & FLANGE)

FLANGE THICKNESS



SECTION B-B



CROSS BAR SUPPORT WELDED AT THE BOTTOM OF THE BASKET

NOTE:  
THIS DRAWING CONTAINS INFORMATION PROPRIETARY TO FLUID FILTRATION MANUFACTURING CORP. THIS DRAWING MAY NOT BE REPRODUCED WITHOUT THE EXPRESS WRITTEN PERMISSION OF FLUID FILTRATION MANUFACTURING CORP.

REVISION NO.	ECN NO.	BY:	DATE:	APPD:
REV DESC:				
<b>FLUID FILTRATION MANUFACTURING CORP.</b>				
<b>BASKET WITH WIRE CAGE</b>				
DESIGNED BY		PRODUCT LINE		SHEET 1 OF 1
DWN BY KYLE GOLTSCH		DATE 101713		
APPD ENG		PLOT SIZE 12.5		DWG NO. 101713
				REV.