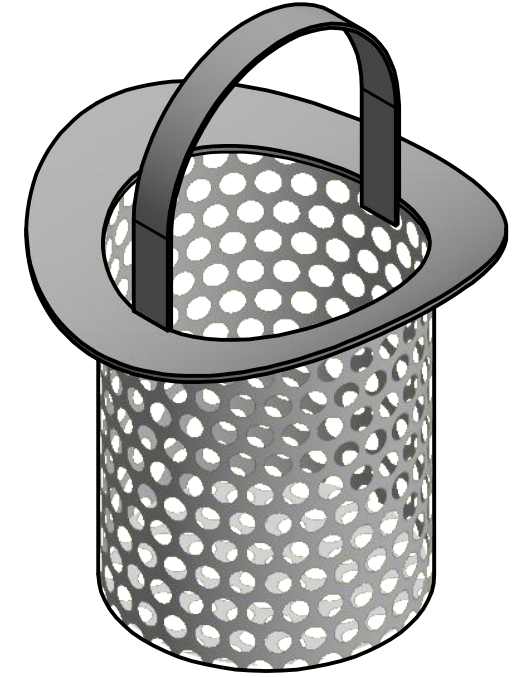
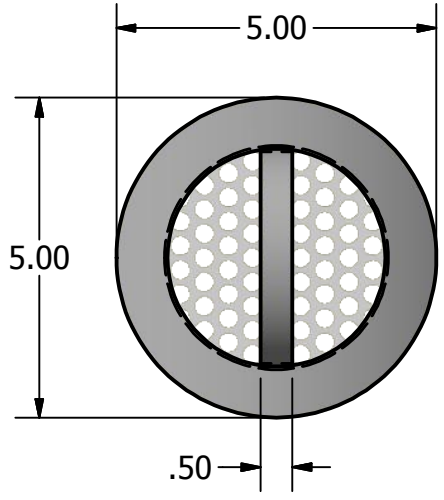


2

1

REVISION HISTORY

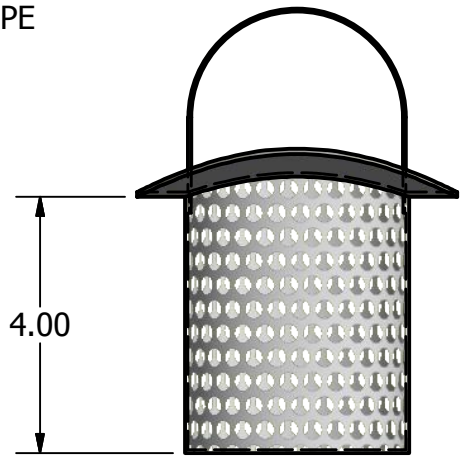
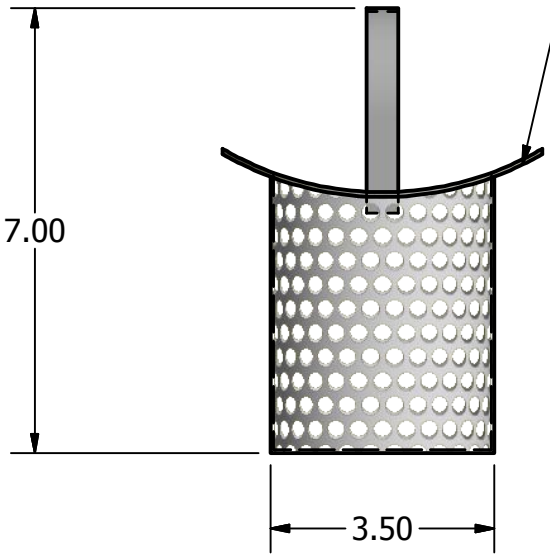
REV	DESCRIPTION	DATE	APPROVED
0	INITIAL RELEASE	8/25/2016	TZ



B

B

Ø10.02 TO MATCH ID OF 10" PIPE




A

A

PART # 10-3/16-20G-PB

	NAME	DATE
ENG APPR	TOM Z.	8/25/2016
MGR APPR	AL BORZI	8/25/2016
MATERIAL: 316SS 3/16" PERF		
UNLESS OTHERWISE SPECIFIED DIMENSIONS ARE IN INCHES ANGLES ±1.0° 2 PL ±0.13 3 PL ±0.063		

 FLUID FILTRATION MANUFACTURING CORP.	TITLE BASKET FOR 10" PIPE WITH 3/16" PERFORATED HOLES	
	SIZE A	DWG NO FFM004
CUSTOMER:		
SCALE: 1 / 3		SHEET: 2 OF 2

THIS DRAWING CONTAINS INFORMATION PROPRIETARY TO FLUID FILTRATION MANUFACTURING CORPORATION, ANY UNAUTHORIZED USE OF THIS DRAWING IS EXPRESSLY PROHIBITED WITHOUT THE WRITTEN PERMISSION FROM FFM.

2

1