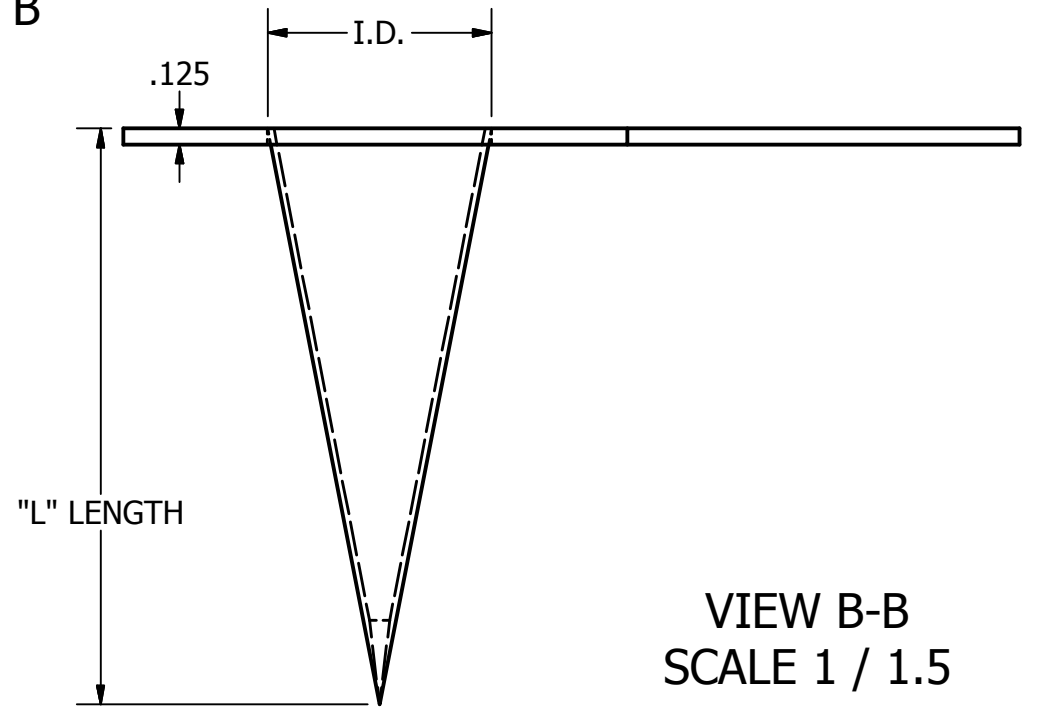


REVISION HISTORY			
REV	DESCRIPTION	DATE	APPROVED
0	INITIAL RELEASE	8/25/2016	TZ

NOM. PIPE SIZE: _____
 FLANGE RATING: 150 300 600 900 1500
 MATERIAL TYPE: _____ (316SS, MONL400, HASTC276, TI G2, OTHER)
 PERFORATION SIZE: _____ (EX: 1/8" HOLES ON 3/16" CENTERS)
 FLOW DIRECTION: NORMAL REVERSE
 MESH SIZE: _____ (INDICATE NONE IF NOT REQUIRED)
 HANDLE: YES NO
 OPEAN AREA: 100% 150% 200%



VIEW B-B
SCALE 1 / 1.5

CONE TYPE WITH 1/8" HOLES ON 3/16" CENTERS										
NOM. PIPE SIZE	I.D.	O.D. 150/300 # ANSI	O.D. 600 # ANSI	O.D. 900 # ANSI	O.D. 1500 # ANSI	D				
							L=100%	L=150%	L=200%	
3/4"	0.625	2.125	2.5	2.625	2.625	0.375	2.25	2.25	3	
1"	0.75	2.5	2.75	3	3	0.5	2.625	2.75	3	
1 1/2"	1.25	3.25	3.625	3.75	3.75	0.75	3.1875	4	5	
2"	1.75	4	4.25	5.5	5.5	1	3.5	6	8	
2 1/2"	2.25	4.75	5	6.375	6.375	1.25	4.0625	6.25	8	
3"	2.75	5.25	5.75	6.5	6.75	1.5	4.25	6.75	9	
4"	3.75	6.75	7.5	8	8.125	2	5	10	12	
5"	4.625	7.625	9.375	9.625	9.875	2.5	6	12	14	
6"	5.375	8.625	10.375	11.25	11	3	7	13	18	
8"	7.375	10.875	12.5	14	13.75	4	8.1875	17	23	
10"	9.375	13.25	15.625	17	17	5	12	22	28	
12"	11	16	17.875	19.5	20.375	6	13	26	34	
14"	12.25	17.375	19	20.375	22.625	7	15	27	36	
16"	14	20.125	21.875	22.5	-	8	17	30	40	
18"	15.75	21.25	23.75	25	-	9	19	35	46	
20"	17.5	23.5	26.625	-	-	10	21	39	51	
24"	21.25	27.875	30.875	-	-	12	25	45	61	

THIS DRAWING CONTAINS INFORMATION PROPRIETARY TO FLUID FILTRATION MANUFACTURING CORPORATION, ANY UNAUTHORIZED USE OF THIS DRAWING IS EXPRESSLY PROHIBITED WITHOUT THE WRITTEN PERMISSION FROM FFMFC.

NAME	DATE	FLUID FILTRATION MANUFACTURING CORP.	TITLE	
ENG APPR TOM Z.	8/25/2016		CONE STRAINER	
MGR APPR AL BORZI	8/25/2016	MATERIAL:		SIZE B
UNLESS OTHERWISE SPECIFIED DIMENSIONS ARE IN INCHES		DWG NO FFM006		CUSTOMER: CUSTOMER NAME
ANGLES ±X.X°		SCALE: 1 / 2		SHEET: 2 OF 2
2 PL ±X.XX 3 PL ±X.XXX				