

8 | 7 | 6 | 5 | 4 | 3 | 2 | 1

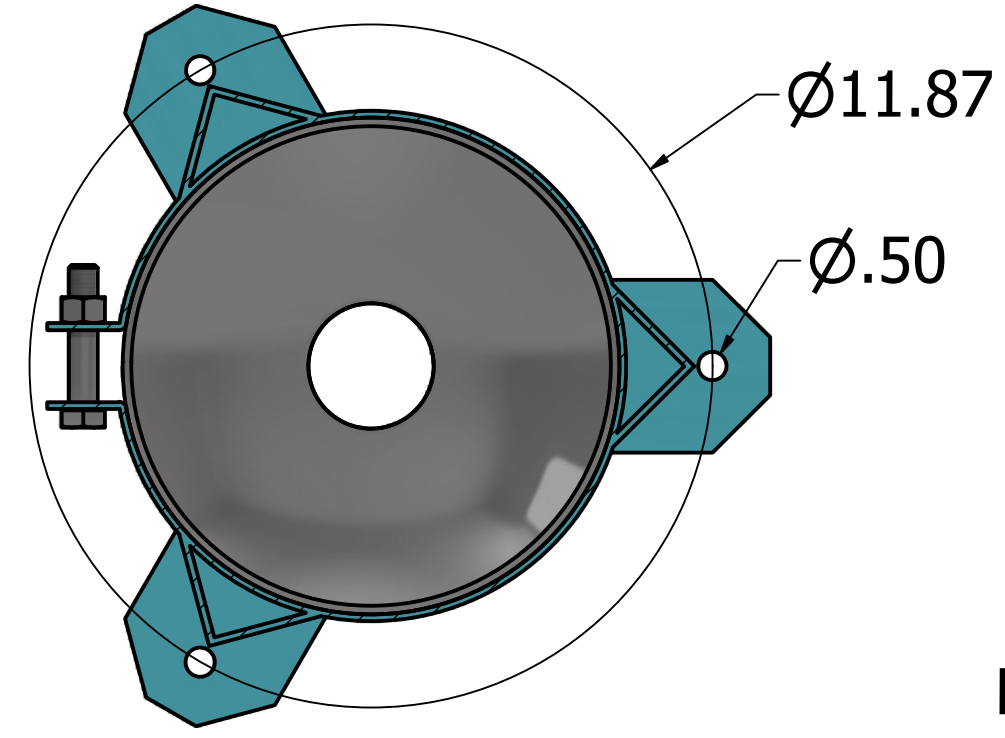
CONSTRUCTION AS PER ASME SECTION VIII
 MAX WORKING PRESSURE: 150 PSI
 HYDROTEST PRESSURE 205 PSI
 MAX TEMP: 250°F
 MIN TEMP: -20°F

ALL DIMENSIONS ARE INCHES

CERTIFIED DRAWING

CUSTOMER:

CUSTOMER PURCHASE ORDER:



SECTION A-A
SCALE 0.3

STAND OFF HEIGHT
REQUIRED FOR BASKET REMOVAL

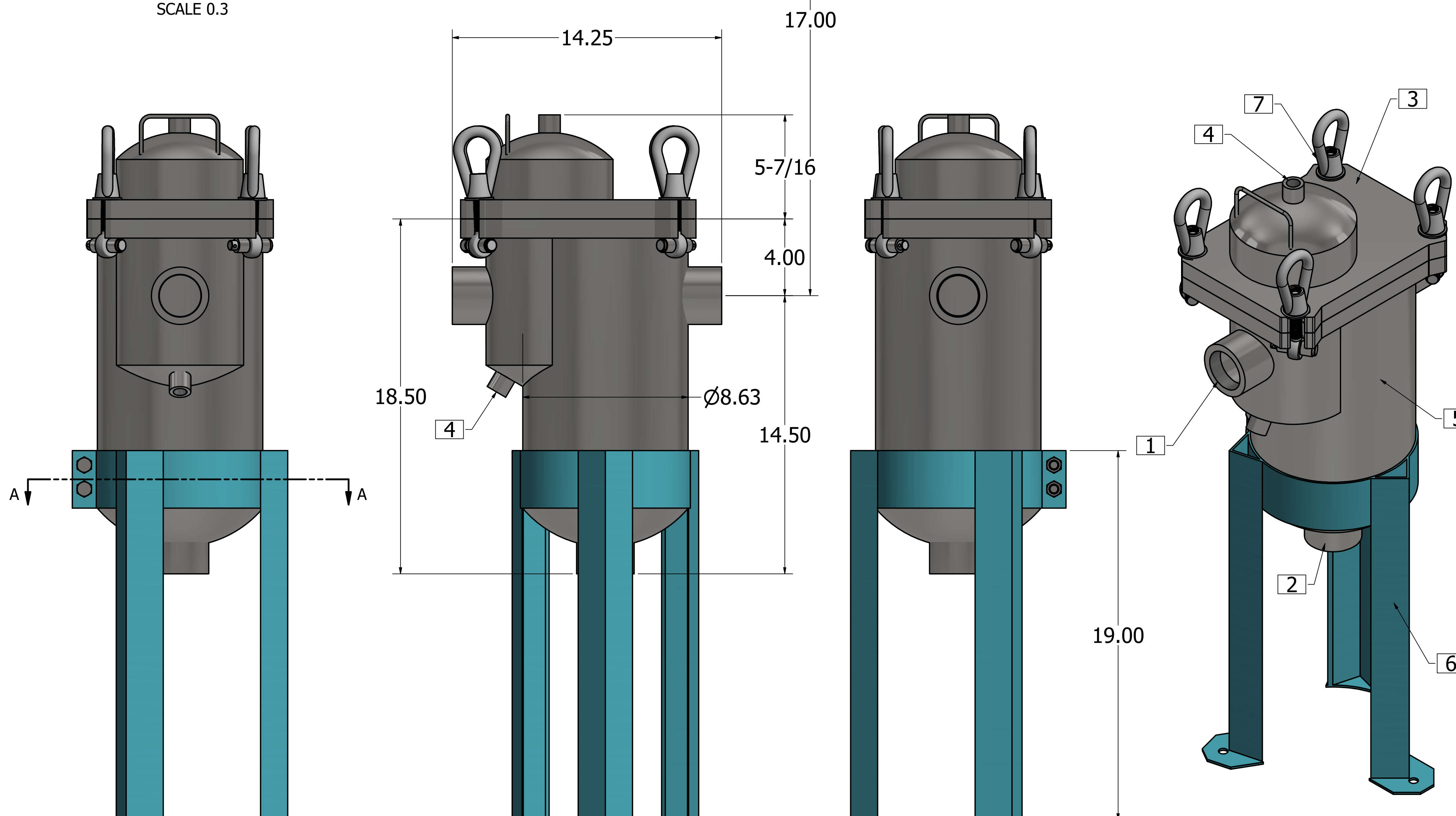


TABLE				
ITEM	QTY	PART NUMBER	DESCRIPTION	MATERIAL
1	2	NPTF-2.0	Inlet/Outlet Flanges 2" NPTF CLASS 3000	ASTM A-105
2	1	FF.PR.006	Drain Connection 2" NPTF CLASS 3000	ASTM A-105
3	2	FF.PR.001	Top Cover; Includes upper flange/cap with integral handle	ASTM A-36
4	2	FF.PR.004	Vent connection and Inlet Drain Connection	ASTM A-105
5	1	FF.PR.002.1	Central Body 8-5/8" OD	ASTM-A53
6	1	FF.PR.003	Fabricated 1-1/12 Angle with band and locking bolt	ASTM A-36
7	4	SA-194-1 SA-193-B7	Eyebolt/Eyenuit Assembly Clevis Pin SS Clotter Pin	ASTM A-193-B7/ A-194-1 Cadmium Coated
NOT SHOWN	1	FF.PR.005	Lid Gasket	EPDM
NOT SHOWN	1	FF.PR.007	Restrainer Basket	316SS 9/64' PERF

DRAWN J PERINO	2/18/2021	FLUID FILTRATION MFG CORP		
CHECKED		TITLE		
QA		FILTER ASSEMBLY		
MFG A SUBERO		FF.PR.2.0.NPTF.1.CS		
APPROVED A SUBERO		SIZE D	DWG NO FF.PR.2.0.NPTF.1.CS	REV 1
		SCALE 0.3	SHEET 1 OF 1	

8 | 7 | 6 | 5 | 4 | 3 | 2 | 1